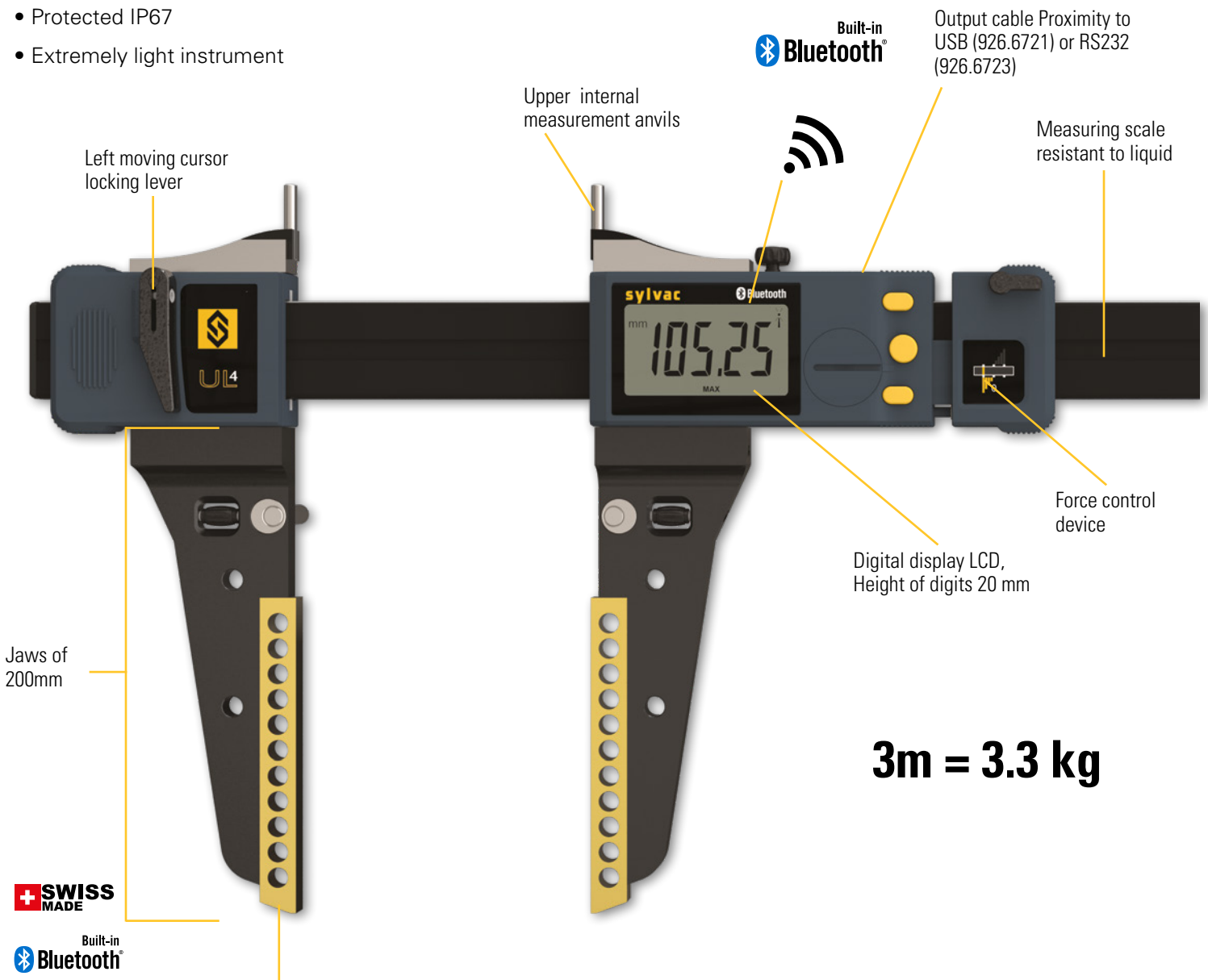


# Ultra light caliper

# UL4

## DESCRIPTION

- Ultra light caliper for external and internal measurements
- **Integrated Bluetooth® wireless technology**
- New Series with extra large display
- Aluminium beam reinforced by four stainless steel rods
- Long jaws 200 mm coated with titanium
- New carbide upper internal tips
- Measuring force applied control
- Protected IP67
- Extremely light instrument



**3m = 3.3 kg**

**SWISS MADE**

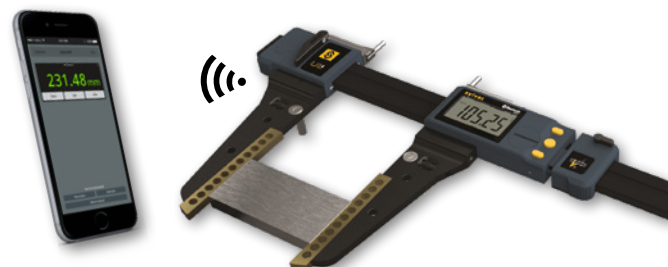
Built-in Bluetooth®

**PROXIMITY**

Stainless steel external jaws, thickness 8 mm, titanium coated

**WATER RESISTANT**

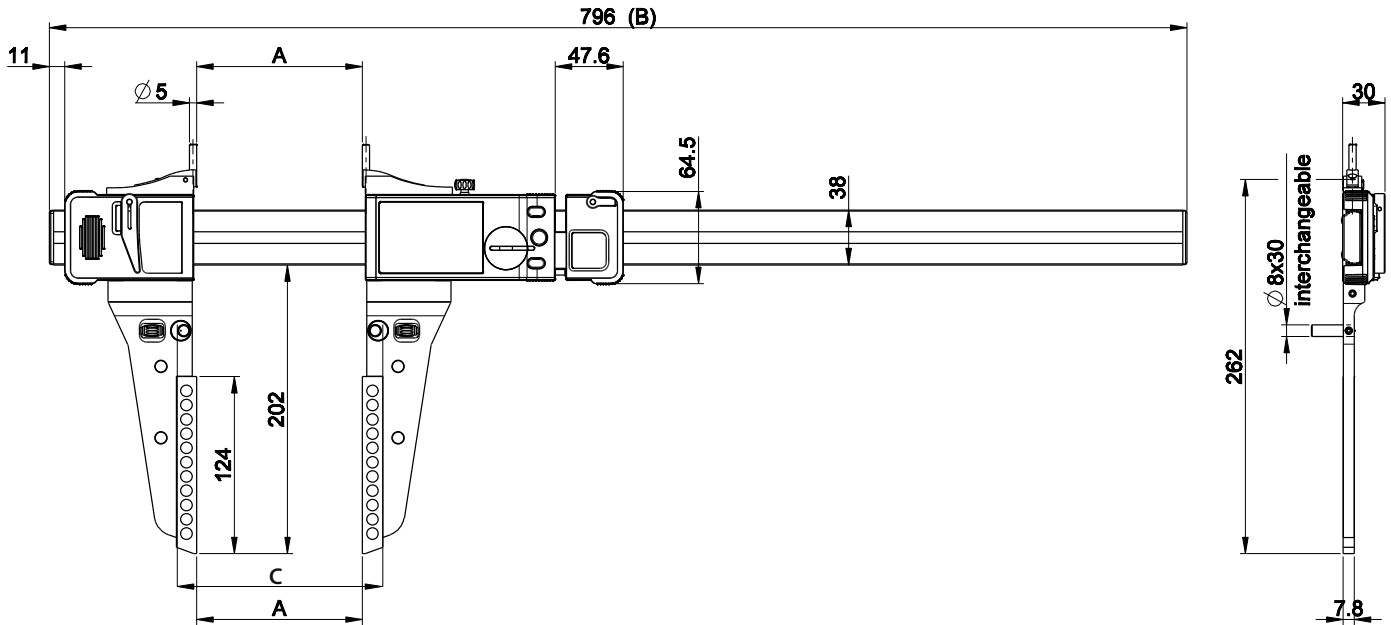
**IP67**



# Ultra light caliper

# UL4

## DIMENSIONAL DRAWING



## TECHNICAL SPECIFICATIONS

		811.1404	811.1406	811.1410	811.1415	811.1420	811.1425	811.1430
Measuring range	mm	400	600	1000	1500	2000	2500	3000
Max. Error	µm	30	40	50	90	120	150	200
Repeatability	µm	20			30			
Resolution	mm	0.01						
A	mm	0-478	0-683	0-1093	0-1608	0-2123	0-2638	0-3153
C	mm	27-505	27-710	27-1110	27-1635	27-2150	27-2665	27-3180
B	mm	796	1001	1411	1926	2441	2956	3471
Measuring Force	N	7.5 - 11.5 (±20%)						
Output data		Bluetooth® wireless technology* / RS232 / USB						
IP67 Protection		●						
Preset max.		±9999.99 mm / ±399.9995 IN						
Weight	kg	1.5	1.6	1.9	2.3	2.6	2.9	3.3
Setting by PC		●						
2 references		●						
Min/Max function		●						
Tolerance limit indicators		●						

\* Up to 8 instruments connected per dongle #981.7100  
 More informations on How to use Bluetooth® leaflet SYL\_1401\_EN\_BT